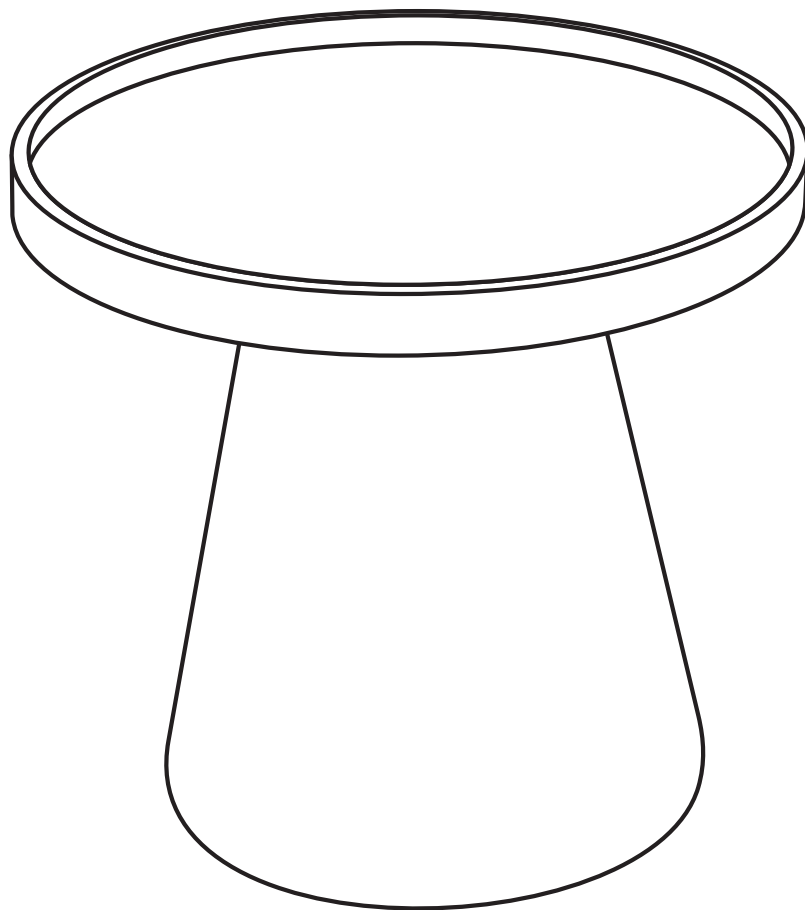


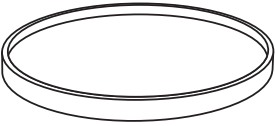
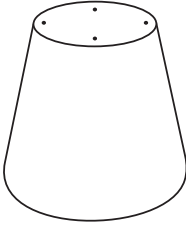


Pillow Talk

ASSEMBLY INSTRUCTION

ORELLA SIDE TABLE



PARTS LIST

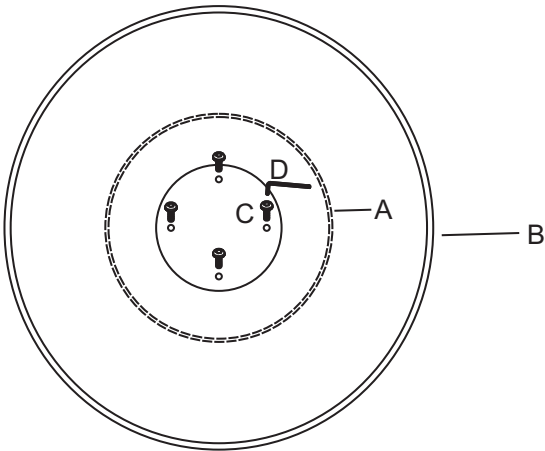
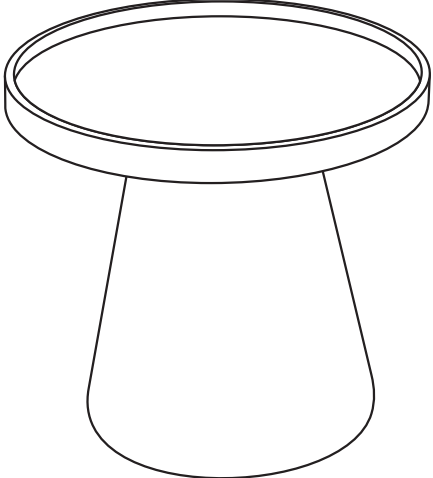
<p>(A)</p>  <p>1 x top</p>	<p>(B)</p>  <p>4 x base</p>	<p>(C)</p>  <p>4 x M6* 16mm</p>	<p>(D)</p>  <p>1 x Allen Key</p>
---	--	---	---

ASSEMBLY STEPS

Read these instructions carefully. Refer to hardware and furniture parts list for guidance. Be sure all parts are complete, before assembling. place all hardware parts on a clean and flat soft surface to prevent scratches. Refer to steps provided as assembling guide.

CAUTIONS

- Do not FULLY-TIGHTEN the nuts or nut bolts until all are in place.
- To prevent thread damage. Ensure that nuts or nut bolts are not over-tightened.
- Hardware is to be kept out of reach of children.

<p>Step 1 - Attach table top to table base.</p> 	<p>Step 2</p> 
--	---